



ALWAYS read the installation instructions before installing this product.



ALWAYS read the installation and end user care instructions.



ALWAYS match the correct waste to the shower base.

ALWAYS have the waste installed by a trained and experienced skilled craftsman.



NEVER use the waste without the unit fully assembled.



BEWARE A child finger trap may be present during the handling or use of this product.

ALWAYS Keep fingers clear of the gaps between the cover, and the locking ring.



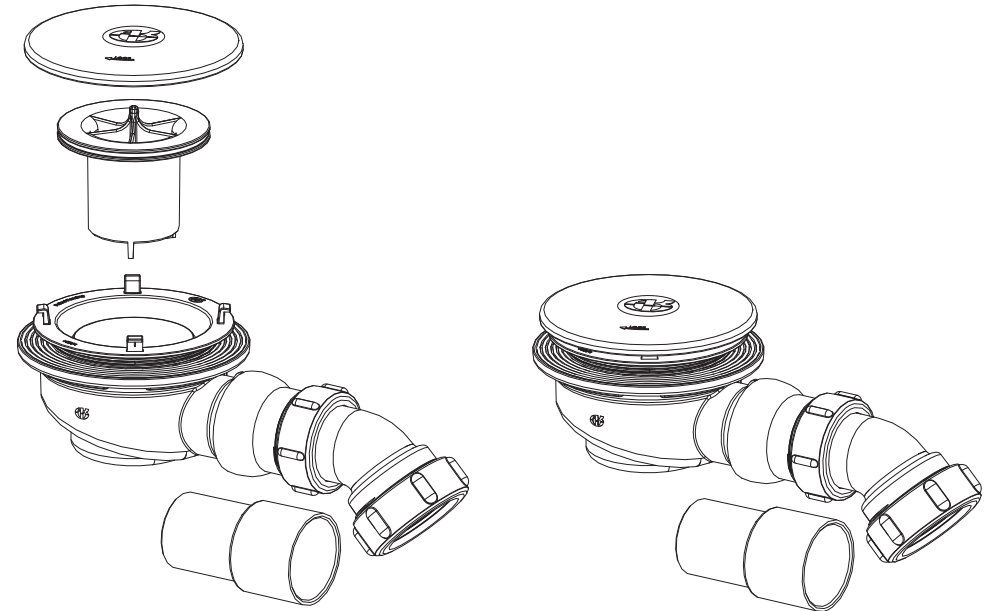
DO NOT place matches or cigarettes on or near this product.
The following plastic materials are used in this product: Acrylonitrile Butadiene Styrene (ABS), Rubber, Nitrile.



AKW MediCare
PARTNERS IN CARE



Euro GW90 Gravity Waste Installation and user care instructions



Dismantled for cleaning;
No tools required

Assembled

To fit hole diameter of 90mm and 50mm water trap

Colour: White

Internal Building use only

The measurements throughout these installation and user care instructions have been converted from metric to its equivalent in imperial, therefore all dimensions are approximate and subject to manufacturing tolerances. AKW MediCare does not make any warranty, expressed or implied, or accept any liability in connection with this information or its use. This information is furnished upon the condition that the person receiving it shall make his/her own tests to determine the suitability thereof for his/her particular purpose.

**For further details on this and other AKW products please contact your distributor
- see details on outer packaging**

**Installer: Please ensure that this information is left
with the end user of this product.**

Installation Instructions

Before installation check the shower base area (7) slopes correctly towards the waste and the waste outlet pipe slopes down and away from the waste position by approximately 25mm per metre run (1 in 40).

Before fitting the waste (1), confirm which pipe diameter is being installed and use the appropriate connections. Fit the nut (11) onto the waste pipe, followed by the backing ring (10) and the seal (9), ensure pipe connection is correctly assembled, sealed and watertight. The elbow (8) can be rotated to suit any waste pipe arrangement from horizontal to 45° or use solvent weld adaptor (12).

Locate the waste (1) in the required position, ensuring the main body seal (2) is firmly in position, and is in contact with the underside of the tray.

Align and fit the locking ring (3) by turning the locking ring clockwise to tighten.

Check the seal (5) is fitted into the groove at the top of the tube (4).

Then lower the tube unit into the recess within the waste body.

Position the cover (6) over the assembly and rotate the cover until the lugs snap into place.

User Care Instructions

AKW wastes are designed for low maintenance and reliable operation. The waste should be checked as part of a planned maintenance programme, retightening the screws as required and any part showing evidence of damage or misuse must be replaced.

Keeping your Euro GW90 Gravity Waste Clean

This product should be cleaned periodically to remove any accumulation of hair or other waste material, using normal domestic bathroom cleaning materials.

To remove and clean the waste, first remove the cover by rotating anti-clockwise, until clicks free. Lift the cover off by gripping the edges. Lift the trap up vertically by gripping the centre peg. Reinstall the trap following the instructions above.

Disinfecting

Where disinfecting is necessary, standard procedures for disinfecting equipment should be used taking due care and attention to the warnings below concerning possible effects of aggressive chemicals on plastics.

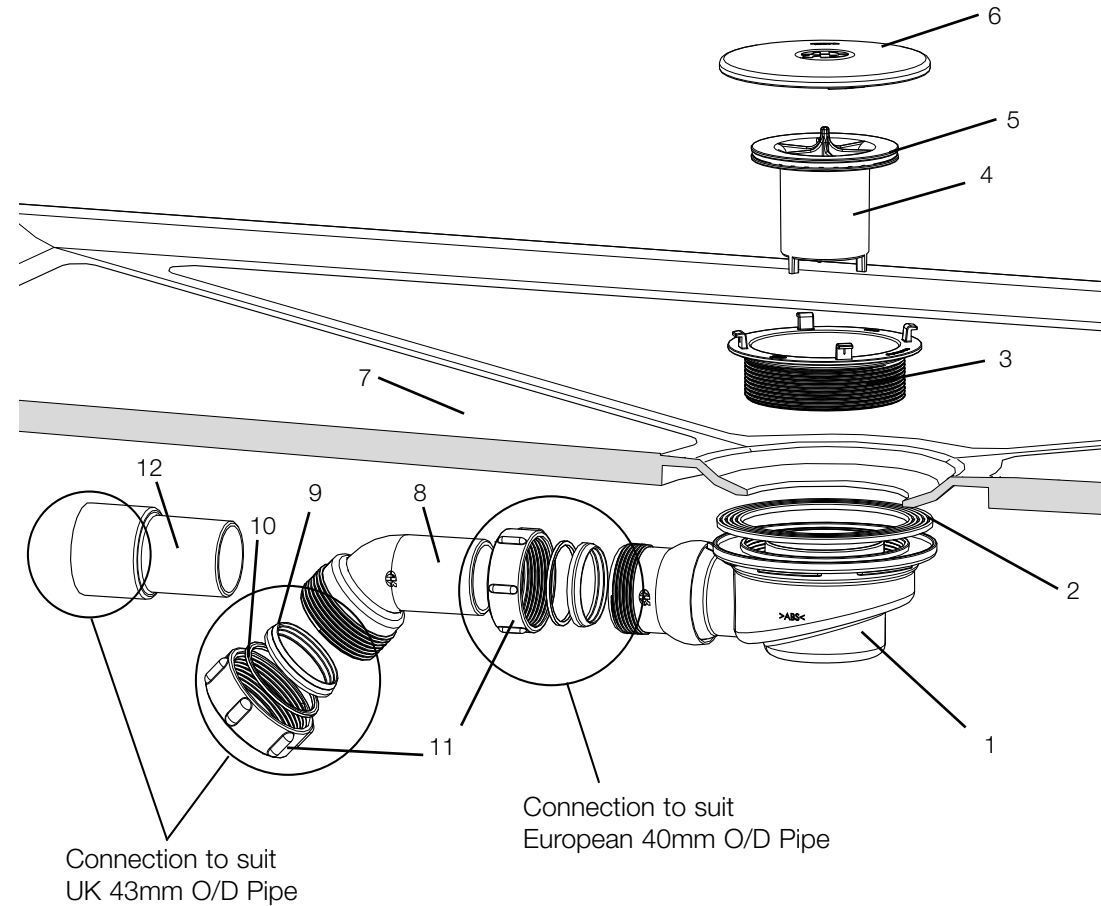
After cleaning always flush down with water then wipe thoroughly with a damp cloth to remove any cleaning material residues before drying off.

Do not use strong or concentrated acidic, alkaline or other cleaning materials as these may discolour or damage the product.

AKW do not approve or recommend autoclave cleaning of any of the components due to the damage this can cause to the special engineering plastics used in the construction of this product.

Packaging

This waste is supplied in a polypropylene (PP) bag to keep the product unsoiled until installation; it may also be packed in a cardboard box. Both are suitable for recycling operations and should be disposed of in accordance with local recycling regulations.



Sectioned floor view of the Euro GW90 Gravity Waste